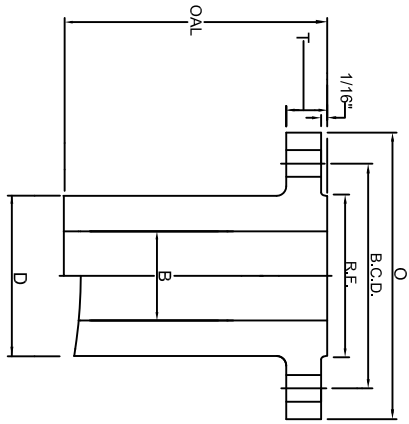
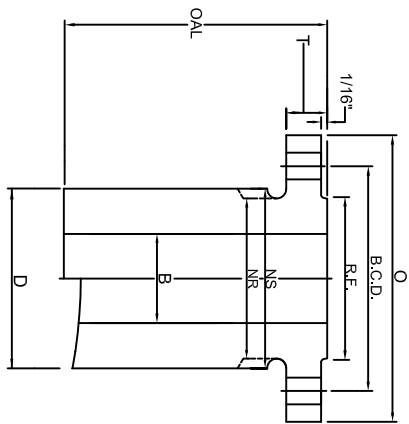


CLASS 300 NOZZLE

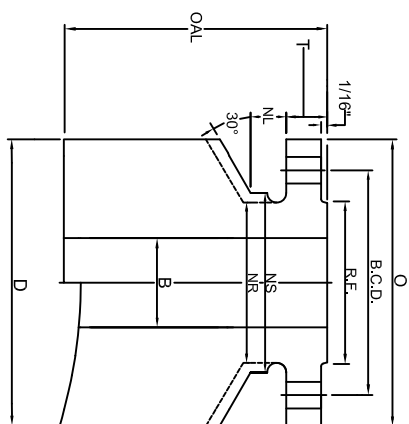
BARREL TYPES:
LWN, HB, CO



LONG WELD NECK "LWN"



HEAVY BARREL "HB"



COMPLETE BARREL "CO"

SIZE	FLANGE			BOLTING			BORE		BARREL				LENGTH		WEIGHTS						
	FLG O.D.	FLG THK	R.F. O.D.	No. OF HOLES	HOLE SIZE	B.C.D./B.C.D.	LWN&CO	HB	STOP/RELIEF	LWN	HB	CO	BASE	LWN	HB	PER 1"	CO	PER 1"			
NPS SIZE	O	T	R.F.			B.C.D.	B	B	NS	NR	NL	D	D	D	OAL	BASE	PER 1"	BASE	PER 1"	BASE	PER 1"
1/2	3.75	0.56	1.38	4	0.62	2.62	0.50	0.55	1.75	1.50	0.75	1.50	1.75	3.75	9	5	0.4	7	0.6	24	3.1
3/4	4.62	0.62	1.69	4	0.75	3.25	0.75	0.74	2.19	1.88	0.88	1.88	2.19	4.62	9	9	0.7	11	0.9	37	4.6
1	4.88	0.69	2.00	4	0.75	3.50	1.00	0.96	2.44	2.12	0.88	2.12	2.44	4.88	9	9	0.8	12	1.1	40	5.1
1 1/4	5.25	0.75	2.50	4	0.75	3.88	1.25	1.28	2.50	0.88	2.50	2.81	2.81	5.25	9	13	1	15	1.4	45	5.8
1 1/2	6.12	0.81	2.88	4	0.88	4.50	1.50	1.50	3.25	2.75	1.00	2.75	3.25	6.12	9	15	1.2	21	1.9	61	7.8
2	6.50	0.88	3.62	8	0.75	5.00	2.00	1.94	3.94	3.31	0.88	3.31	3.94	6.50	9	20	1.5	28	2.6	68	8.5
2 1/2	7.50	1.00	4.12	8	0.88	5.88	2.50	2.32	4.62	3.94	1.00	3.94	4.62	7.50	9	25	2.1	38	3.6	89	11
3	8.25	1.12	5.00	8	0.88	6.62	3.00	2.90	5.38	4.62	1.00	4.62	5.38	8.25	9	35	2.7	49	4.6	106	13
3 1/2	9.00	1.19	5.50	8	0.88	7.25	3.50	3.36	6.00	5.25	1.00	5.25	6.00	9.00	9	42	3.4	59	5.5	122	15
4	10.00	1.25	6.19	8	0.88	7.88	4.00	3.83	6.62	5.75	1.00	5.75	6.62	10.00	12	62	3.8	91	6.5	207	19
5	11.00	1.38	7.31	8	0.88	9.25	5.00	4.81	8.00	7.00	1.00	7.00	8.00	11.00	12	84	5.3	124	9.1	241	21
6	12.50	1.44	8.50	12	0.88	10.62	6.00	5.76	9.38	8.12	1.00	8.12	9.38	12.50	12	105	6.7	165	12	303	27
8	15.00	1.62	10.62	12	1.00	13.00	8.00	7.62	11.56	10.25	1.12	10.25	11.56	15.00	12	148	9.1	228	17	405	36
10	17.50	1.88	12.75	16	1.12	15.25	10.00	9.56	13.62	12.62	1.25	12.62	13.62	17.50	12	210	13	291	21	499	46
12	20.50	2.00	15.00	16	1.25	17.75	12.00	11.38	15.94	14.75	1.38	14.75	15.94	20.50	12	275	16	392	28	651	61
14	23.00	2.12	16.25	20	1.25	20.25	14.00	14.00	18.44	16.75	1.38	16.75	18.44	23.00	12	324	19	456	32	785	74
16	25.50	2.25	18.50	20	1.38	22.50	16.00	16.00	20.50	19.00	1.50	19.00	20.50	25.50	12	404	23	529	37	914	88
18	28.00	2.38	21.00	24	1.38	24.75	18.00	18.00	22.75	21.00	1.50	21.00	22.75	28.00	12	465	26	630	43	1066	102
20	30.50	2.50	23.00	24	1.38	27.00	20.00	20.00	25.00	23.12	1.50	23.12	25.00	30.50	12	549	30	741	50	1228	118
24	36.00	2.75	27.25	24	1.62	32.00	24.00	24.00	29.62	27.62	1.75	27.62	29.62	36.00	12	778	42	1016	67	1627	160

MATERIAL: Tri-Lad nozzles are manufactured from forgings in full accordance with ASME Section II. Tri-Lad can supply a variety of material grades, most commonly SA105, SA350 LF2, Alloy, Stainless, and other grades or exotics as needed.

BORE: Bore sizes listed above are standard. Tri-Lad will supply any bore size to meet your requirements upon request.

LENGTH: Over all lengths listed are standard to use for hose weight calculations. Tri-Lad will manufacture the length of nozzle you require to suit your needs upon request.

TOLERANCING: Tri-Lad manufactures nozzles to ANSI B16.5 tolerances unless otherwise specified. Any standard or custom facing will be supplied upon request.

NUT STOP/RELIEF: Barrels on all Tri-Lad nozzles except regular long weld necks are manufactured with "Nut Stop"(NS) diameters unless the "Nut Relief"(NR) diameter is requested.

NOZZLE CONNECTIONS: Tri-Lad nozzle connections are supplied standard as square cut. Custom contouring or insert lip connections to fit any shell, head, or cone are available upon request.